

CORAL BOX

Aquarium Pump Extender

User Manual



Features

- Suitable for Vortech / Jebao Wave Maker/ DC Pump *
 - Suitable for 12V to 24V Pump Use
 - Ideal for Max 2 Unit of Pump to connection
 - Can connect 2 Unit for Battery to extend the backup time
- *Jebao DCT series Pump for future support

Specification

- Power Supply 110V to 240V 50/60Hz
- DC Output : 12V x 2
- Fuse : 250V 5A 5x20mm fast blow
- Size and weight : 122mm x 137mm x 102mm, 1.4kg

Packing List

- Pump Extender main unit and user manual x 1
- DC Charger x 1 (110 – 240VAC input, DC 13.8V 1A output)
- Cable A : Battery to Bump/Wave Maker x 2 (5.5mm M x 2 + 5.5mm F)
- Cable B : Battery to Battery Cable x 1 : (5.5mm M to 5.5mm M)
- DC plug adapter x 1 (5.5mm to 3.5mm)

Sample Operation Time

Jebao Wave Maker running at lowest mode W1

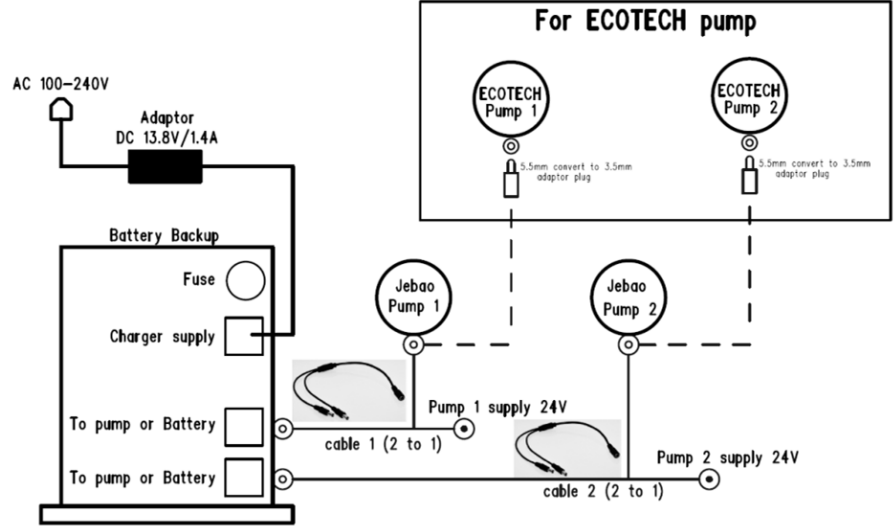
- Model RW4 : 48 hours
- Model RW8 : 24 hours
- Model RW15 : 18 hours
- Model RW20 : 9 hours

Why require a Aquarium UPS?

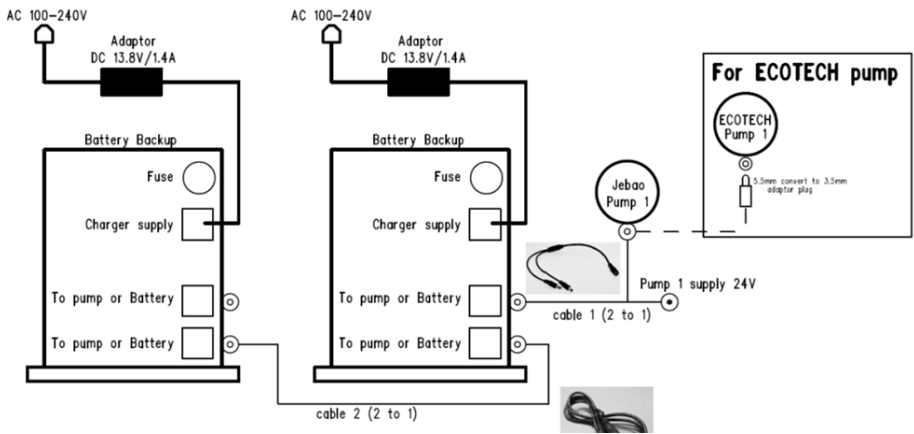
- To prevent accident for short circuit by human or environment issue. Save for your value Fish and Coral. Using Our Coral Box Pump Extender for your pump to extend Max 48 hours to keep for your tank survive

Remark: Actual operation hours will depend on the battery charge and using of condition

■ Connection to Jebao and Vortech Wave Maker / DC Pump



■ Connection of two Pump Extender to double operation time



■ Fuse Replacement

1. Release fuse cartridge by use of slot type screw driver, *push turning counter-clockwise until blocked and release*
2. Replace and insert new 5x20mm 5A fuse
3. Insert fuse cartridge into fuse holder, fasten by *push, turn clockwise of screw driver until blocked and release*